



Gericke Twin Screw Feeder Type GZD 200

The new Gericke GZD 200 feeder is a compact twin screw feeder which has been specially designed for use when a low capacity range is required. This device is particularly suitable for feeding bulk materials which have poor flow characteristics, a tendency to flush and a high proportion of fines. The Gericke Twin Screw Feeder is also self cleaning with a low level of pulsing even when run at low speed.

Areas of applications

- Pharmaceutical and chemical industries
- Food industry

Advantages

- Low pulsing with high short time accuracy
- High feeding accuracy and feeding constancy
- Hygienic shaft seals
- Minimal product dead zone design
- Fast cleaning and simple disassembly
- Fast product changeover
- Various types of feed helixes available
- Suitable for both gravimetric and volumetric operation

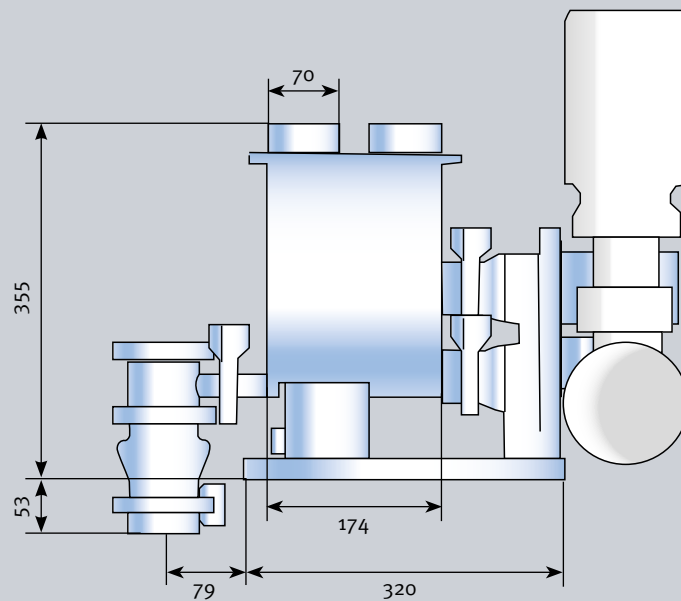
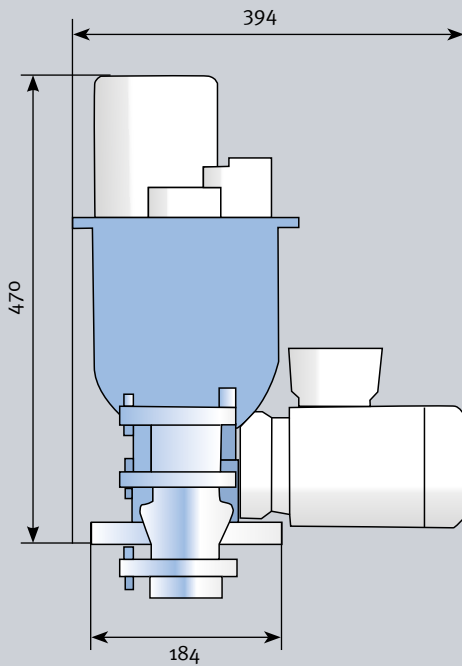
Gericke

Powder Processing Equipment and Systems



Specifications

| | |
|-------------------|--|
| Performance range | • 0,2- 30l/h |
| Intrmitter | • Available in several options |
| Hopper volume | • Approximately 6 litres |
| Drive | • 3-phase geared motor with food grade oil, 60W or 120W |
| Construction | • Stainless steel product contact parts • FDA approved seal materials |
| Control system | • Gericke Easydos Pro |
| Options | • Air pulse seals • Interlocked safety switch for hopper removal • ATEX execution • Reverse jet vent filter • Light weight flexible sleeves for gravimetric mode • Completely enclosed stainless steel motors |



Switzerland ...
Gericke AG
T +41 44 871 36 36

Great Britain ...
Gericke Ltd.
T +44 16 13 44 11 40

France ...
Gericke SAS
T +33 1 39 98 29 29

Brazil ...
Gericke Brasil Ltda.
T +55 11 2598 2669

China ...
Gericke
(Shanghai) Pte Ltd.
T +86 21 5382 0108

Germany ...
Gericke GmbH
T +49 77 31 929 0

Rota Val Ltd.
T +44 12 49 65 11 38

The Netherlands ...
Gericke B.V.
T +31 33 25 42 100

Singapore ...
Gericke Pte Ltd.
T +65 64 52 81 33

Gericke

Powder Processing Equipment and Systems

www.gericke.net