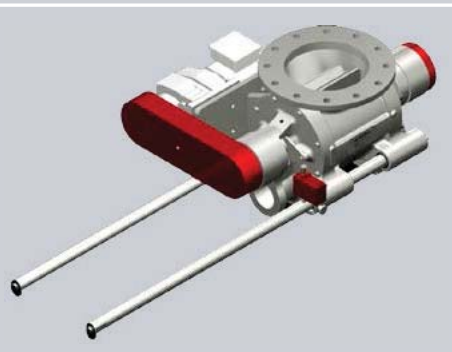
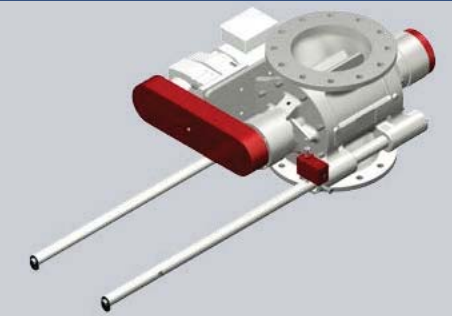


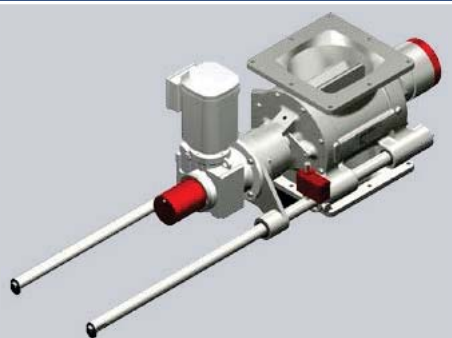
HDMF heavy duty modular fast clean rotary valves and BSMF blowing seals



BSMF Blowing seal with chain drive



HDMF Rotary valve with chain drive



HDMF Rotary valve with direct drive

HDMF Rotary and BSMF Blowing seal fast clean valves are based on the HDM/BSM valves and provide users with increased productivity through a design that realises minimal down time for frequent cleaning of the valve internals. The non-drive end cover incorporates the new Rotalign™ bearing assembly. This is a unique patented self-centralising design that minimises production downtime by permitting maintenance work whilst the valve remains in situ. Should full access be required there is also an option for drive end cover removal (-II).

A robust construction makes this fast clean range suitable for use in nearly all types of industry and with no special tools needed to gain access to the valve internals, it's very operator and process friendly.

Typical applications

- Metering device, airlock, explosion containment, flame barrier and system isolation.
- Suitable for gravity, positive pressure and vacuum conveying systems.
- Powders, granules, pellets, grain, feed and chips.
- Can be adapted for virtually all types of product characteristics.

Advantages

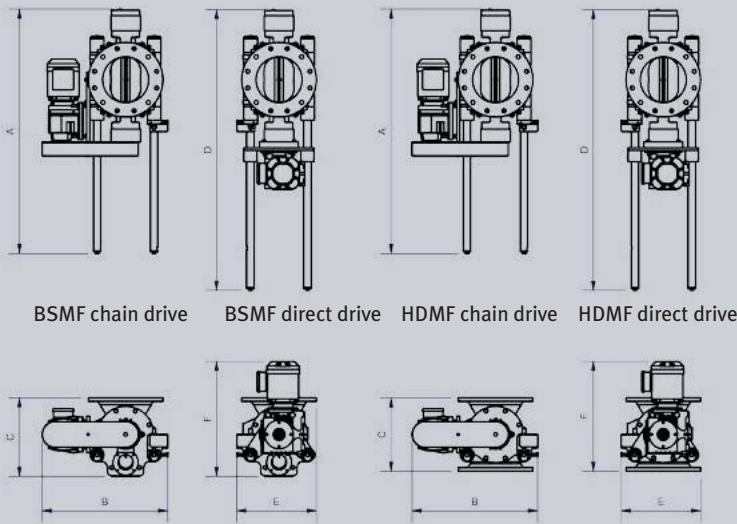
- Once extracted from the valve housing the rotor can be rotated for cleaning whilst still attached to the end cover.
- Bearings can be replaced whilst the valve remains in situ.
- Tapered bore & guide rails provides scratch free rotor extraction and insertion.
- Horizontal rail design with a support tray to rest the rotor on in hard to access places.
- With options, both end covers can be removed for full access to the valve internals.
- 18 Month warranty.
- Valve housings are individually pressure tested for 10 bar(g) explosion and flame containment requirements.
- Backed up by 90 years collective applications experience.

Rota Val

Keeping the World's Industries Solidly in Control

Specifications

Size	• 150-400 mm
Throughput	• Up to 50 m ³ /hr
Flanges	• Round or square, special flange configurations available
Construction	• Cast iron, aluminium or stainless steel, special material grades available
Drive	• SEW chain or direct drive as standard
Finishes	• Polished, wear-resist hard chrome or tungsten carbide, non stick PTFE
ATEX	• Full range of dust and gas zones - 10 bar(g) fully autonomous versions



Approx Dimensions

Valve	A	B	C	D - BSMF-I	D - BSMF-II	E	F
BSMF 150	1030	551	315	1030	1230	280	482
BSMF 200	1120	611	365	1120	1320	343	526
BSMF 250	1330	683	429	1330	1530	406	625
BSMF 300	1430	849	476	1430	1630	483	694
BSMF 350	1585	929	557	1585	1785	534	760
BSMF 400	1685	954	616	1685	1885	597	789

VALVE SIZE	150	200	250	300	350	400
PIPE SIZE O/D	63.5	76.2	88.9	101.6	127	152.4
PIPE SIZE I/D	57	69.7	82.4	95.1	120.5	145.9

Approx Dimensions

Valve	A	B	C	D - BSMF-I	D - BSMF-II	E	F
HDMF 150	1030	551	280	1030	1230	314	477
HDMF 200	1120	611	325	1120	1320	368	486
HDMF 250	1330	683	400	1330	1530	432	596
HDMF 300	1430	849	460	1430	1630	496	678
HDMF 350	1585	929	530	1585	1785	551	733
HDMF 400	1685	954	590	1685	1885	608	763

VALVE SIZE	150	200	250	300	350	400
CAPACITY m ³ /hr/rpm	0.14	0.35	0.68	1.21	1.88	2.85

Switzerland ...
Gericke AG
T +41 44 871 36 36

Great Britain ...
Gericke Ltd.
T +44 16 13 44 11 40

France ...
Gericke SAS
T +33 1 39 98 29 29

Brasil ...
Gericke Brasil Ltda.
T +55 11 2598 2669

China ...
Gericke
(Shanghai) Pte Ltd.
T +86 21 5382 0108

Germany ...
Gericke GmbH
T +49 77 31 929 0

Great Britain ...
Rota Val Ltd.
T +44 12 49 65 11 38

Netherlands ...
Gericke B.V.
T +31 33 25 42 100

Singapore ...
Gericke Pte Ltd.
T +65 64 52 81 33

Indonesia ...
Gericke Indonesia
(Rep. Office)
T +62 21 2958 6753

Rota Val

Keeping the World's Industries Solidly in Control

sales@rotaval.co.uk

www.rotaval.co.uk